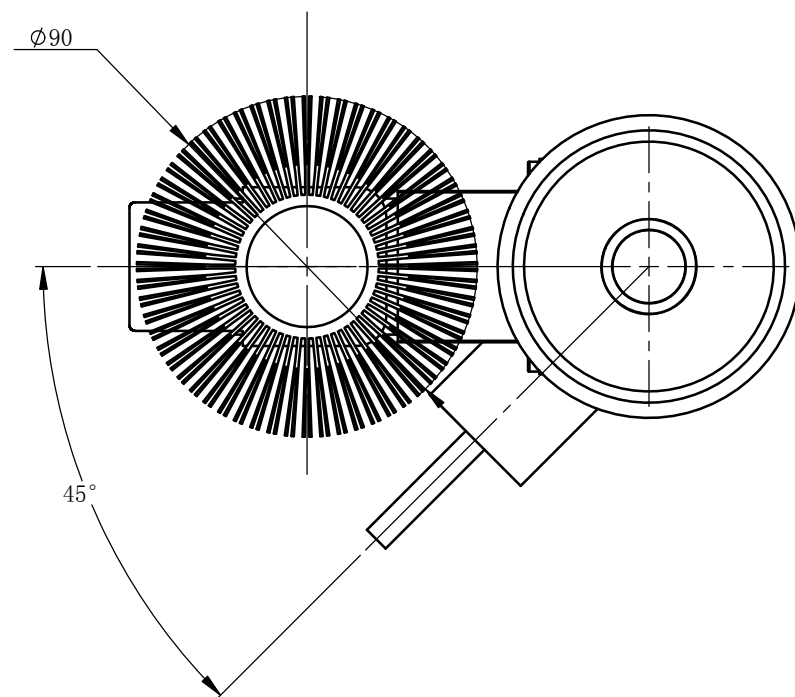


XF-VM3-1X-DIC

Specification

- | | |
|--|---|
| 1. Imaging magnification: | 1X (200mm focal length) |
| 2. Size of Image field: | 4/3' (Diameter:22.5mm) |
| 3. Max Entrance pupil diameter: | φ12mm |
| 4. Imaging method: | DIC |
| 5. Imaging wavelength: | Visible light |
| 6. Illumination wavelength: | Visible light |
| 7. Illumination electric power (standard): | Power rating: 30W(3.75V 8A) |
| 8. Color of illumination light source: | Blue(460nm),other color need to be custom |
| 9. Objective lens mount type: | M26×0.706 |
| 10. Customize magnification : | 0.96X、0.7X、0.63X |



Undefined tolerance (mm)	degree	File Name			
X.X	±0.2	±30min	XF-VM3-1X-DIC-外形尺寸-V7.0-EN		
X.XX	±0.02	Drawing Name			
X.XXX	±0.005	Drawing Size: A3			
	Sign	Data/Ver.	Material	Ratio	Product Name
Design		V7.0		1:2	
Modify1			Qty		Canrill OPTICS
Modify2			Total:	Page:	All design and drawings are intellectual property of Canrill Optics, can not be copied without Canrill's authorization.